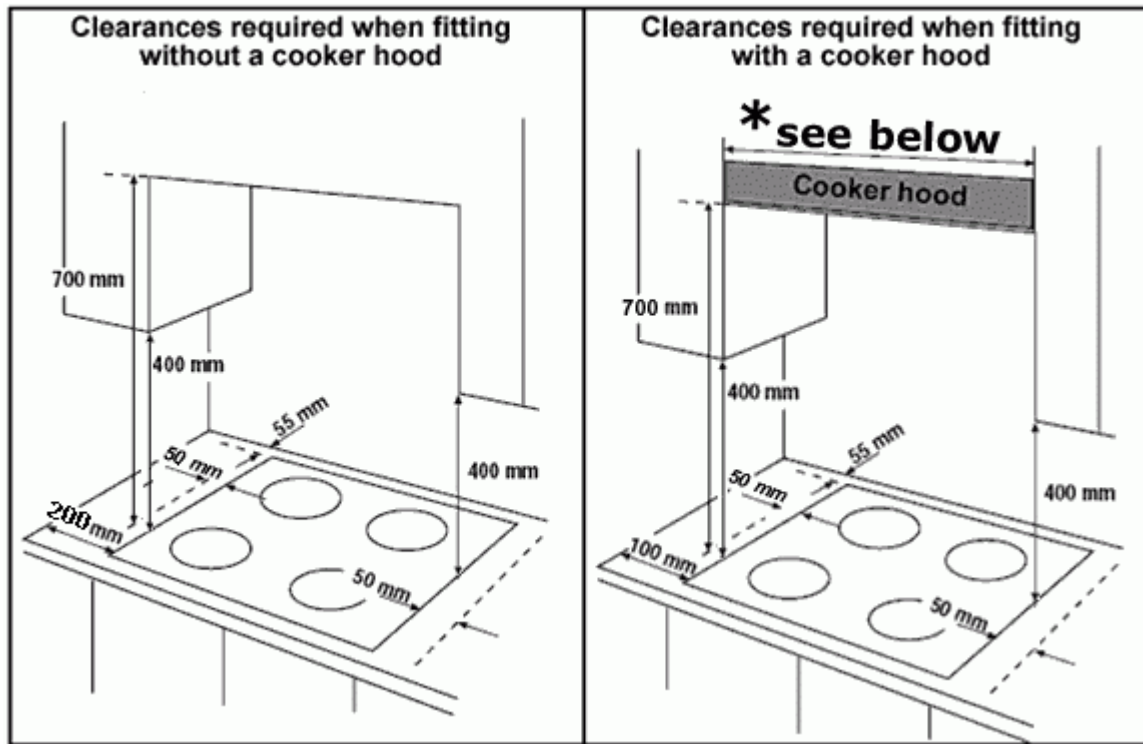


Positioning



The adjacent furniture must be able to withstand a minimum temperature rise of 65°C above the ambient temperature of the room it is located in, during periods of use.



- This appliance can be located in a kitchen, a kitchen diner or a bed sitting room. **IMPORTANT:** The appliance must not be installed in a bathroom or shower room.

This appliance is classified as Class 3 and therefore is to be built into a kitchen unit (depending on size) or 600mm worktop, providing the following minimum distances are allowed:

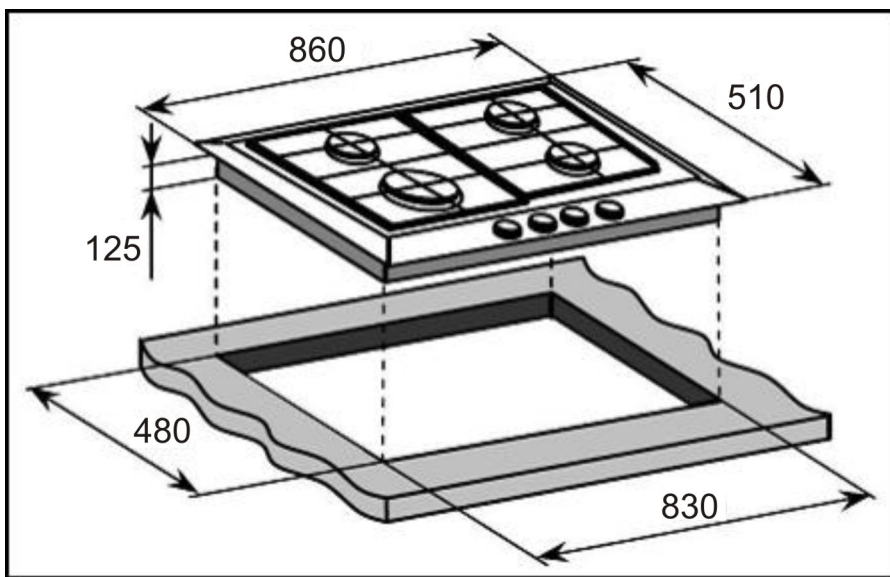
- The edges of the hob must be a minimum distance of 55 mm from a side or rear wall.
- 700 mm between the highest point of the hob surface (including the burners) and the underside of any horizontal surface directly above it.
- 400 mm between the hob surfaces, providing that the underside of the horizontal surface is in line with the outer edge of the hob. If the underside of the horizontal surface is lower than 400 mm, then it must be **at least** 50 mm away from the outer edges of the hob.
- 50 mm clearance around the appliance and between the hob surface and any combustible materials.

Unpacking the appliance

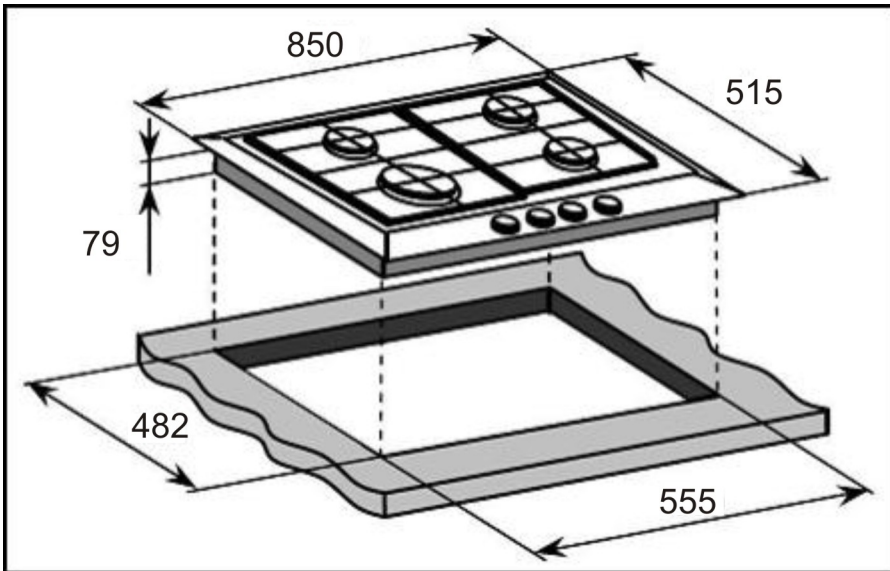
When unpacking the appliance please check that the following items are contained within the packaging:

- 1 gas hob
- Pan stands
- Burner assemblies
- Instruction manual
- Warranty card
- Fixing screws
- Clamps
- Sealing strip
- LPG conversion jets
- Self-adhesive label for amending the gas category on the appliance's rating plate (required if the LPG conversion jets are used).

Installing the appliance

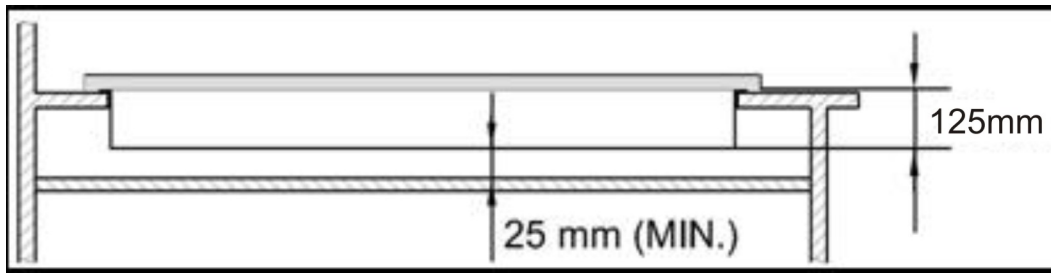


PG-904; PS-904 (5-flammig)

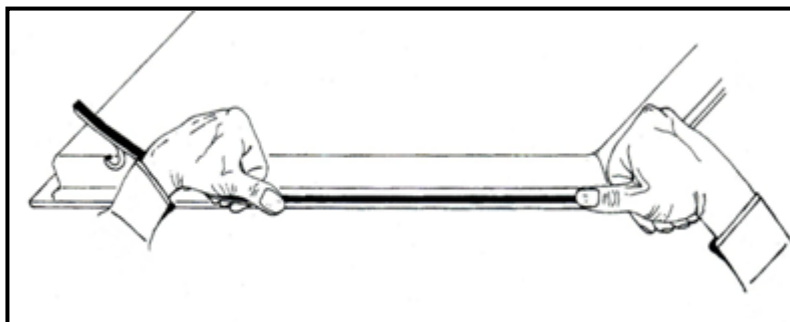


PG-604; PS-604; PG-603; PS-603E (4-flammig)

- Cut a hole in the worktop that corresponds with the relevant drawing on the previous page.

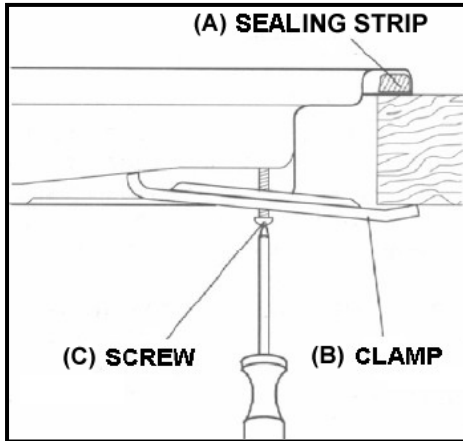


- **IMPORTANT:** You must have a gap of at least 25 mm between the underneath of the appliance and any surface that is below it.



- Carefully turn the hob upside down and place it on a cushioned mat.
- Apply the sealing strip **(A)** provided around the edge of the appliance.

- The protective covering must be removed from both sides.
- Do not leave a gap in the sealing agent or overlap the thickness.
- **IMPORTANT:** Do not use a silicon sealant to seal the appliance against the aperture. This will make it difficult to remove the hob from the aperture in future, particularly if it needs to be serviced.



- (A) Sealing strip
- (B) Clamp
- (C) Screw